

Features:

- polyethylene container with 480 litres capacity and up to 270 litres switching volume
- single-channel impeller pump with fibre cutting insert and large solids handling
- mechanical seal (up to 4kW) or chilled casting seal (> 5 kW) and shaft seal with intermediate oil chamber
- pump housing with flanged outlet bend DN 100
- lateral inlet with loose-type flange DN 150
- additional connection 1 1/2" for manual diaphragm pump
- air vent with loose-type flange DN 100 (Ø 110 mm)
- star-delta-start for 7,5 kW unit
- operation temperature max. 55°C
- operating mode S3 - 25%
- protection grade IP 56 (5.5 & 7.5) / IP 68 (3.0 & 4.0)

Application:

- drainage of sewage from apartment buildings or industrial enterprises etc.
- above-ground installation in frost-free rooms below the backflow level

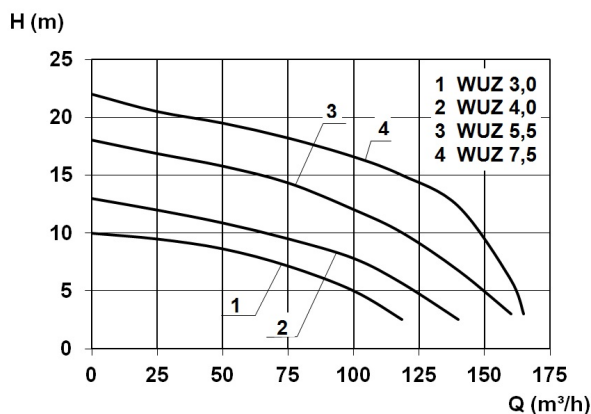
Scope of delivery:

- pre-assembled lifting unit with 3,5 m connection cable to the motor and 5,0 m pneumatic tube to the control
- incl. ZPS1: comfortable, pneumatic level control with microcontroller, LCD plain text display for filling level, maintenance, operating hours, fault message and alarm signal in switchbox for indoor installation (7,5 kW ZPS1 control with star-delta-start)
- Small compressor set with bubbler system
- Attention! Non-return valve, gate valve and further junction fittings optional (see accessories) arately.

Technical data:

Art.no.	U [V]	P ₁ [W]	P ₂ [W]	In [A]	n [min-1]	Q _{max} [m ³ /h]	H _{max} [m]	SH [mm]	PO	Weight [kg]
10545	400	4000	3000	6,9	1400	120,0	10,0	80	DN 100	210

Characteristics:



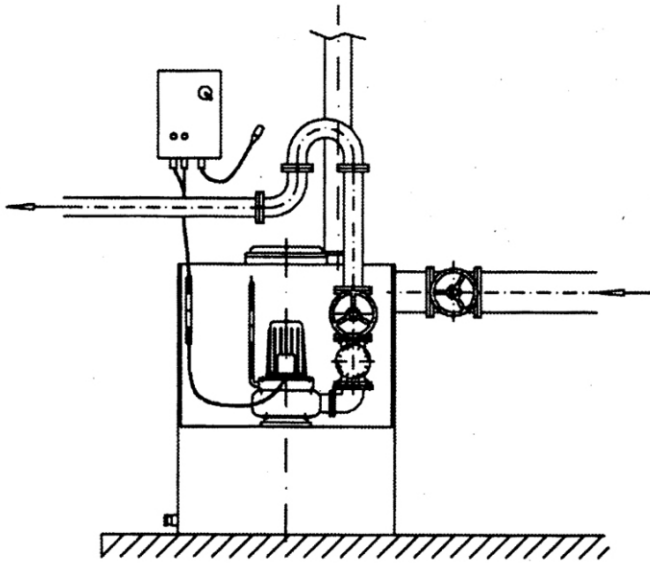
Product benefits:

- custom dimensions, custom inlets and on-site-assembly possible
- large container volume and switching volume (container volume up to 20.000 litres available)
- blockage-free operation by 80 mm solids handling
- comfort control unit included in delivery

Materials:

Material impeller:	cast-iron GG20
Seal motor:	shaft seal
Seal pump:	mechanical seal
Material motor housing:	Light metal L-2521
Material pump housing:	cast-iron GG20
Material motor shaft:	stainless steel 1.4101

Example of installation:



Dimensions:

