

Features:

- complete package for automatic operation of the borehole pump and with additional dry-run protection and expansion tank
- oil-filled asynchronous motor within stainless steel housing with thermal contact
- jacket cooling for continuous duty horizontal / emerged
- sealed with high-grade mechanical seal
- brass bearing shield
- stainless steel pump housing and motor shaft
- modern, powerful pump hydraulics with impellers and guide wheels made of wear-resistant plastic

Application:

- water pumping from deep wells and rainwater cisterns
- domestic water supply, garden irrigation
- agriculture

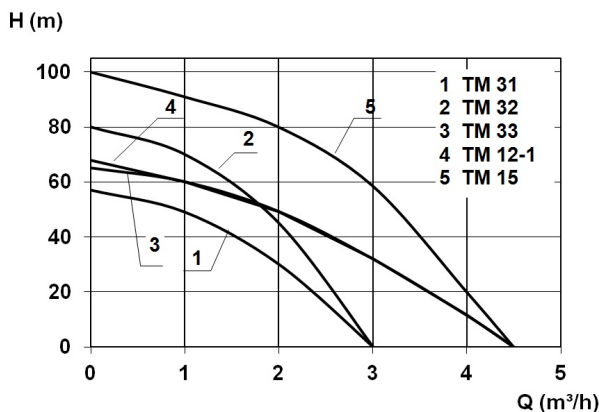
Scope of delivery:

- borehole pump TM with 20 m power cable and plug with integrated capacitor, power switch and motor protection
- 20 litres expansion tank, powder-coated, butyl-membrane
- 4 years guarantee on expansion tanks and membrane
- pressure switch, manometer, 5-way-piece, reinforced hose
- dry-run protection Hydrostop
- 10 m stainless steel rope with 4 rope clips
- non-return valve

Technical data:

Art.no.	U [V]	P ₁ [W]	P ₂ [W]	I _n [A]	n [min ⁻¹]	Q _{max} [m ³ /h]	H _{max} [m]	P0	D [mm]	L [mm]	W [mm]	H [mm]	Weight [kg]
11944	230	1.200	800	5,2	2800	4,5	68,0	RP1	100	625	100	100	22,17

Characteristics:



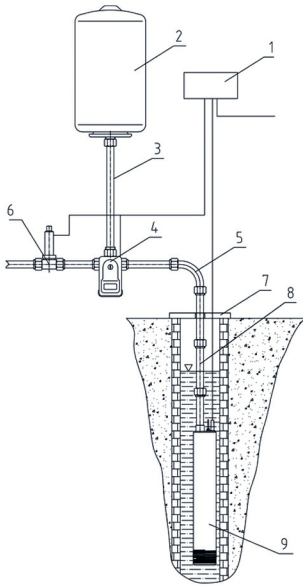
Product benefits:

- complete package for automatic operation
- dry-run protection for additional safety included in the scope of delivery
- jacket cooling for continuous duty horizontal / emerged
- expansion tank with butyl membrane 4 years guarantee

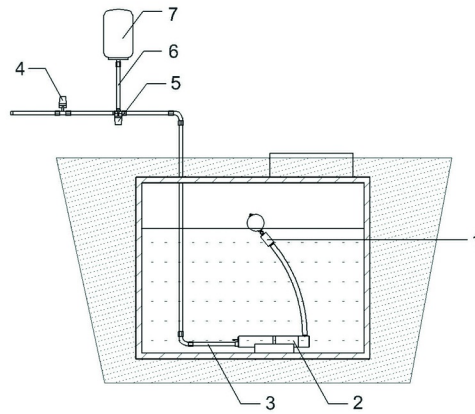
Materials:

Seal pump:	mechanical seal
Material pump housing:	stainless steel AISI 304

Example of installation:



- 1 plug
- 2 membrane pressure tank
- 3 connecting tube
- 4 5-way piece and pressure switch
- 5 pressure pipe
- 6 dry-run protection
- 7 wellhead
- 8 pressure pipe
- 9 pump



- 1 floating intake
- 2 pump with bedding
- 3 pressure pipe
- 4 dry-run protection
- 5 pressure switch with 5-way piece
- 6 pressure pipe
- 7 membrane pressure tank