

Features:

- optimised high-performance cutting system made of corrosion-resistant special steel 1.4112 with particular high hardness, wear resistance and cutting performance
- tank made of ABS for direct connection to a free-standing toilet with minimum inlet height
- tank ventilation via activate carbon filter; optional ventilation via DN 40 pipe
- robust, wet-installed pump
- integrated alarm signal in case of malfunction
- pressure outlet 1 1/4" FPT with integrated non-return valve on top; outlet horizontal or vertical (90° bend)
- max. medium temperature 40°C - short-term max. 60°C
- protection grade IP 68 - fully submersible



Application:

- single toilet lifting unit for limited use in private areas below the backflow level, e.g. basements or refurbishments
- connection of one free-standing or wall-mounted toilet, sink, shower and bidet

Scope of delivery:

- plug-and-play with 1.5 m power cable and safety plug
- accessories: buoyancy protection, inlet nozzle DN 40, outlet connection 1 1/4" MPT/FPT, Ø32 and Ø40 connection
- small parts and fastening materials

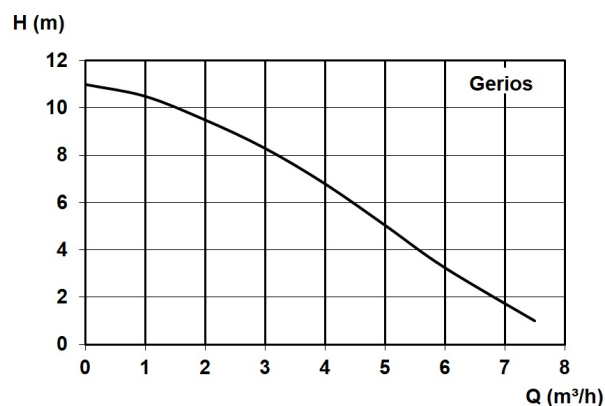
Product benefits:

- connection of one free-standing or wall-mounted toilet
- high-performance cutting system (cuts wet wipes and sanitary products)
- two lateral inlets with non-return flap
- 2 additional inlets at the tank cover (optionally selectable at 3 positions)
- freely selectable air vent position on the top
- very low inlet height (50 mm, lateral), e.g. for showers
- IP 68 - fully submersible
- potential-free contact with easy outside access

Technical data:

Art.no.	U [V]	P ₁ [W]	P ₂ [W]	In [A]	n [min- 1]	Q _{max} [m ³ /h]	H _{max} [m]	SH [mm]	P0	Onmin [mm]	Offmin [mm]	L [mm]	W [mm]	H [mm]	Weight [kg]
20559	230	560	350	2,5	2950	7,5	11	5	variable 1 1/4" MPT, 1 1/4" FPT, DN28, DN32	100	50	435	178	290	10

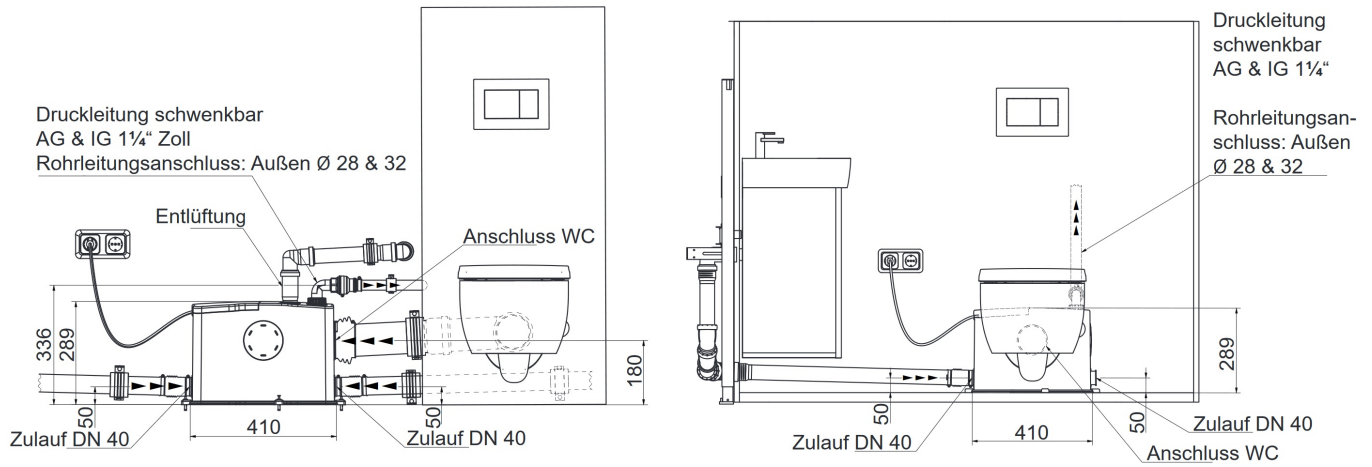
Characteristics:



Materials:

Material impeller:	PPH GF30
Seal motor:	mechanical seal carbon/ceramic/NBR
Material motor housing:	stainless steel AISI 316L
Material pump housing:	PPH GF30
Material container:	ABS

Example of installation:



Dimensions:

